

Fresh by Design™  
Refrigeration, **reinvented.**



**BOSCH**

Invented for life





Bosch.  
Designed for quality.  
Invented for life.

Quality that goes beyond material. The new Bosch refrigerators are designed to make your life easier, more beautiful, and ever fresh.



B36CL80SNS





# Fresh by Design™

Modern, uncluttered living. A desire to not waste food. The way we live has evolved. And now, so has the refrigerator. Introducing the world's most advanced refrigerator with a best-in-class freshness system and innovative features that keep your food fresh up to 3x longer.\*

That's Fresh by Design™. In every way.

\*As compared to a Bosch refrigerator without FarmFresh System™. Results may vary among different foods.



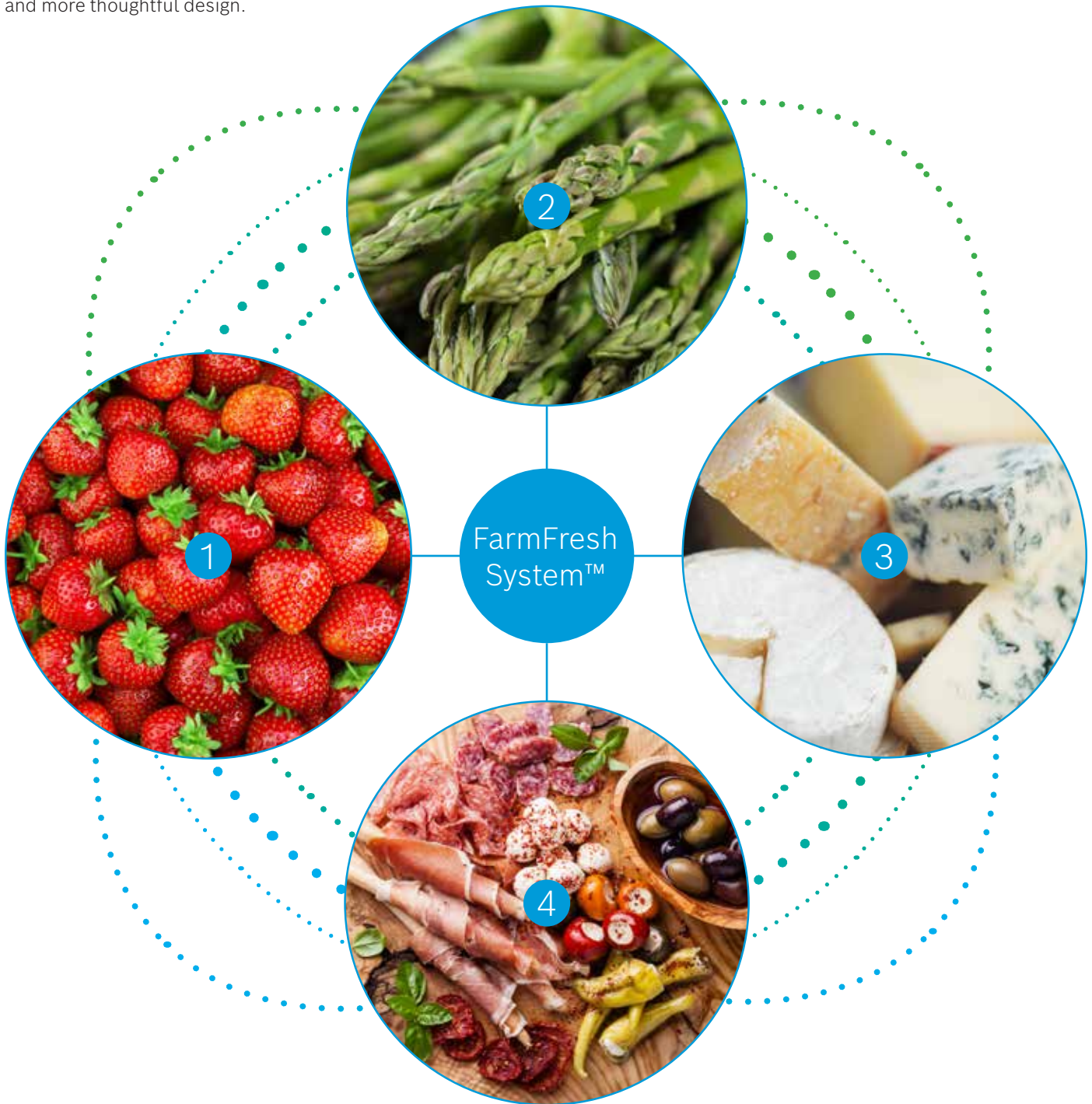
Introducing the all-new

# FarmFresh System™

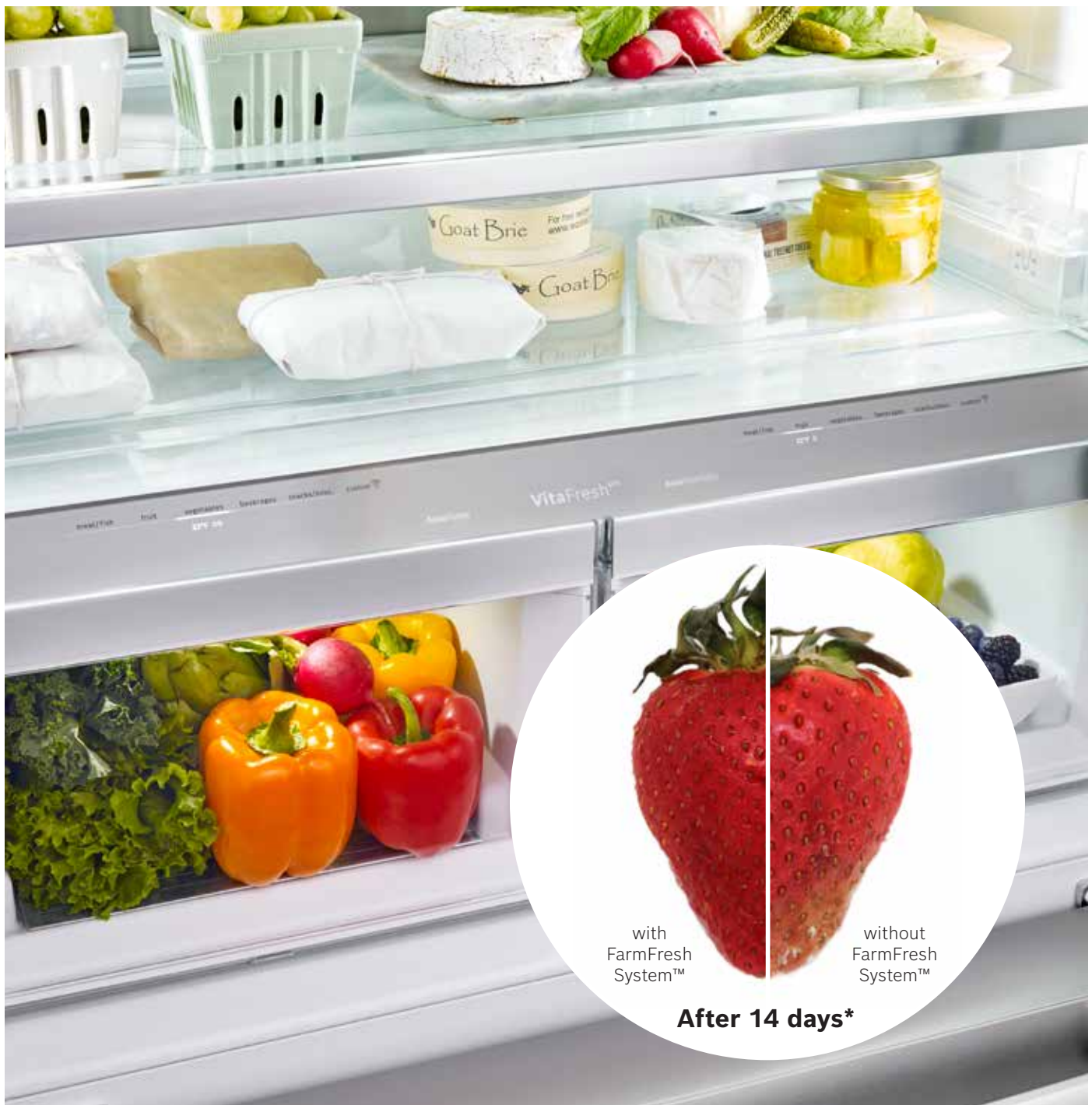
by Bosch

# Preserve the foods you love up to 3x longer.\*

Introducing the revolutionary, new FarmFresh System™, with four innovative freshness technologies that keep your food fresh up to 3x longer.\* Enjoy less food waste, and more thoughtful design.



\*As compared to a Bosch refrigerator without FarmFresh System™. Results may vary among different foods.



FarmFresh System™

# 1

## Preservation.

### VitaFreshPro™

An industry first, VitaFreshPro™ automatically balances BOTH temperature and humidity levels based on the food setting. From produce to meats to cheeses, pre-programmed settings calibrate the optimal environment, removing the guesswork from food storage.

\*Individual results vary depending on type, initial freshness and proper storage and use of food.





FarmFresh System™

2

## Protection.

### **FreshProtect™**

FreshProtect™ filter absorbs naturally occurring ethylene to slow ripening in produce sensitive to these gases. Designed to help fruits and vegetables like strawberries, apples, asparagus, and lettuce stay fresher, longer.



FarmFresh System™

3

## Fresh.

### **AirFresh® filter**

---

Keep your refrigerator and freezer air fresh, all while absorbing even the toughest food odors. Never worry about a replacement—the AirFresh® filter is built to last the lifetime of your refrigerator.



FarmFresh System™

4

## Consistency.

### **MultiAirFlow™**

With MultiAirFlow™, evenly circulate cool, fresh air to maintain consistent temperatures throughout the entire fridge cavity, from door bins to back corners.





# Beauty is in the details.

Form and function, evolved. The new Bosch counter-depth refrigerators feature a sleek, stainless steel exterior, a best-in-class freshness system, and innovative features designed to help you preserve the foods you love. With a stunning interior that spares no detail, minimize food waste with fresh foods in view and within reach.

B36CT80SNS

## UltraClarityPro™ water filter.

This industry-leading water filter removes an astonishing >99.9% of sediments, including harsh elements like chlorine and chloramine. So advanced, it's received certification by NSF, a leading regulatory agency.



## Filtered pyramid ice.

Enjoy beautiful, pyramid-shaped ice right from your freezer. Store in the ice bin or remove completely for a full drawer of ice storage.



## Full-width chiller drawer.

Store oversized platters with ease. Keep snacks, cheeses, and meats accessible and within view. Easily adaptable—the drawer that fits your life.

## True counter depth.

Sits flush with the countertop, with hidden hinges and discreet, tucked away feet. Sleek, freestanding refrigerators effortlessly look and feel built-in.



## Easy to clean.

Keep your kitchen looking beautiful with an easy-to-clean stainless steel exterior. Simply wipe with a damp cloth, no stainless steel cleaner necessary.



# ENERGY STAR<sup>®</sup> qualified.

All Bosch freestanding refrigerators are ENERGY STAR<sup>®</sup> qualified. ENERGY STAR<sup>®</sup> is a U.S. Environmental Protection Agency voluntary program that helps businesses and individuals save money and protect our climate through superior energy efficiency.

## Wide gallon door bins.

Featured on both sets of doors, our wide gallon door bins easily accommodate two large, side-by-side gallon containers each.



## Lighting.

Experience crisp, beautiful LED illumination from corner to corner.



## Dual compressors. Stronger performance.

Dual compressors and dual evaporators offer efficient and precise cooling and humidity control, while significantly limiting odor transfer between the refrigerator and freezer, creating the optimal freshness environment.





## Filtered internal water.

Beautifully hidden inside, the dual-dispensing interior water dispenser lets you enjoy pure, fresh water with the touch of a button or tap of your glass or bottle.



## Organized 3-tiered freezer drawers.

An ingenious three-tiered freezer drawer system creates extra storage for frozen items, from pizza boxes to frozen waffles.

## Stainless steel back wall.

The sleek, internal stainless steel back wall is made from the highest quality materials. Eye-catching and durable, it's a timeless design that's built to last.



## Sleek glass shelves.

The interior shelves are designed with glass and metal. Split shelves are easily adjustable to accommodate your grocery needs.



# Customize in 1-2-3.

Text "FlexBar" to 21432\* for a video.

## FlexBar™

Organize your fridge in new ways. FlexBar™ creates extra space in your refrigerator and is completely adaptable to you and your needs. Move the bar up or down. Adjust accessories anywhere along the bar. Add or remove accessories for your ideal configuration, and enjoy your new home for wine bottles, condiment jars, and more.

FlexBar™, shallow shelf, deep shelf, and bottle holder come standard. Egg accessory tray shown available online.

\*USA and CAN only. Text and data rates may apply.





B36CL80ENS

# Savor the beauty of a Bosch kitchen.

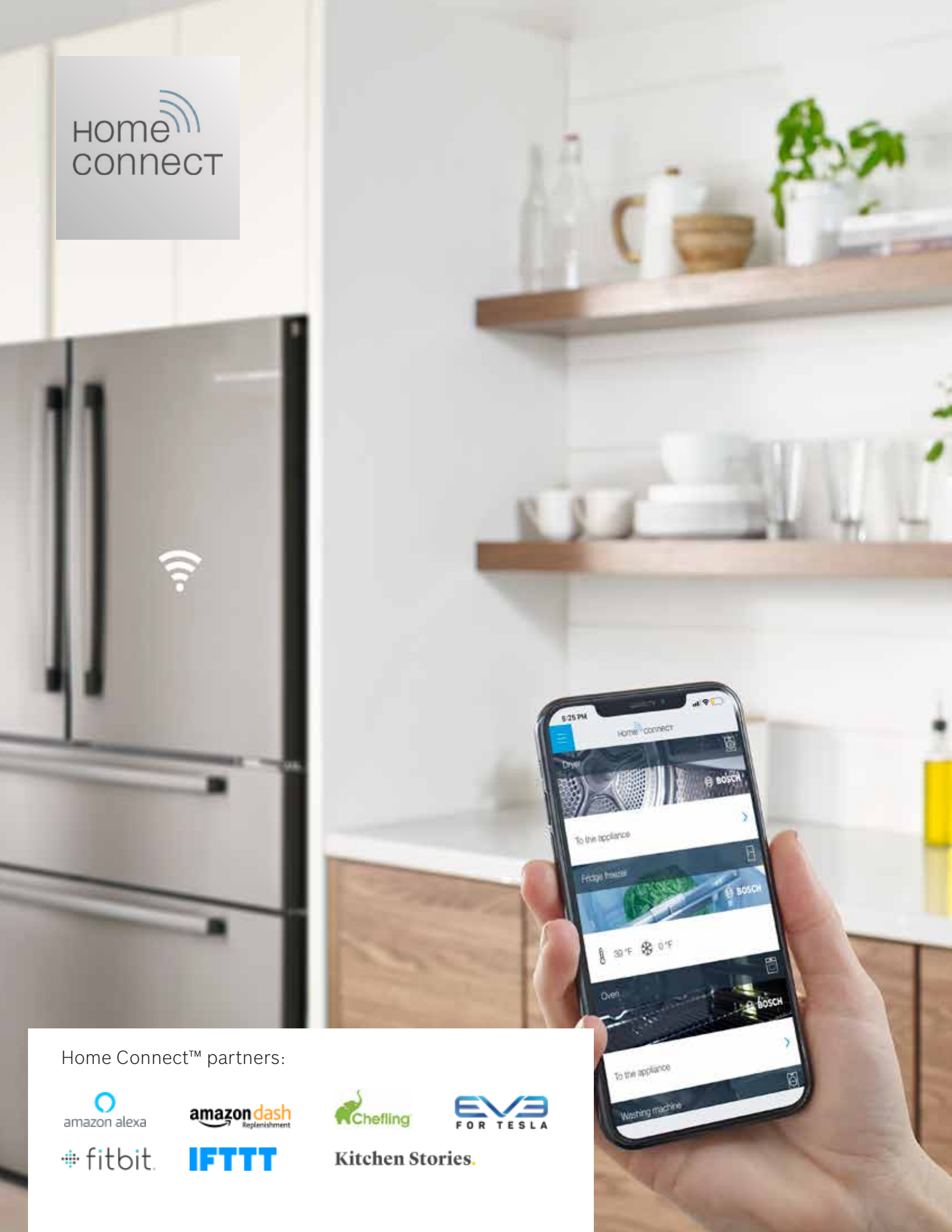
Bosch refrigerators are just part of a full suite of available kitchen appliances. From induction cooktops to built-in ovens to ultra-quiet dishwashers, the heart of your home awaits.



B36CT80SNB



B36CT80SNS



Home Connect™ partners:



**Kitchen Stories.**



# Welcome to the connected home.

Smart homes help people stay in the know when it matters. That's why Bosch created a collection of connected appliances designed to make your life easier. Home Connect™ allows a variety of Bosch home appliances to be remotely monitored and controlled with a single app, for a new level of ease and convenience.

## How to pair:

### Step 1

Download the **Home Connect™** App



### Step 2

Scan QR code with your camera

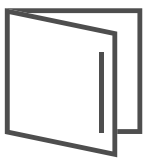


# Master your day, in your own way, with Home Connect™.

The Home Connect™ app allows you to remotely monitor and control your Bosch refrigerator from your smartphone or tablet. Control the temperature, adjust lighting, run diagnostics—wherever you are,\* for ultimate convenience. Connected refrigerators from Bosch are designed to give you peace of mind, customization, and simplification.



## Peace of mind.



### Door ajar notification.

Receive a notification on your phone should you accidentally leave your refrigerator door open for an extended time.



### Remote diagnostics.

Should you ever encounter a problem, the Bosch customer service team can use remote diagnostics to connect to your refrigerator, helping you find a solution quickly.



### Remote temperature control.

Remotely adjust and monitor the temperature of your fridge and freezer—even set it to vacation mode when you're away.



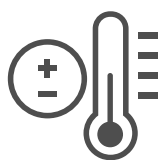
### Water filter replacement reminder.

Simply opt-in to receive a replacement reminder on your mobile device when it's time to replace your water filter.



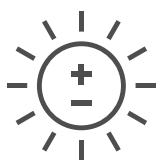


## Customization.



### Temperature customization.

Customize your VitaFreshPro™ drawer to the precise temperature and humidity you need to store your favorite foods, right from your Home Connect™ app.



### Lighting.

Easily adjust the brightness level in your refrigerator from your phone.

## Simplification.



### SuperCool.

When you restock your fridge, opening the door can raise the inside temperature. Rapidly chill your food with SuperCool. Do this before you leave, at the grocery store, or even right as you get back—with the Home Connect™ app.



### SuperFreeze®.

Before stocking your freezer with new groceries, set it to SuperFreeze® to help new food freeze even faster. Do this from home—or the grocery store—using the Home Connect™ app.

# Meet the family.

Bosch refrigerators come in a range of design styles and finishes, so you're sure to find the perfect match.

# The right accessories.

Choose from a range of accessories, depending on your needs.

## Water Filter Accessories

- UltraClarityPro™ water filter - comes standard, replacement recommended every 6 months

## FlexBar™ Accessories

- Bottle holder - comes standard
- Shallow shelf - comes standard
- Deep shelf - comes standard
- Egg tray - available online

## Door Accessories

- Masterpiece handles (3-door only) - available online
- 90-degree door stop - available online

## FreshProtect™ Accessories

- Filter case - comes standard
- Filter sachet - comes standard, replacement recommended every 6 months



4-Door Stainless Steel  
Bar Handle

B36CL80SNS

# Quality finishes.

Premium materials like classic stainless steel and the exclusive true black stainless steel add to the beauty and longevity of every Bosch refrigerator.



## Classic stainless steel.

Sleek and easy to clean, classic stainless steel offers a timeless design that will effortlessly match other appliances in your kitchen.



## Black stainless steel.

Daringly different, Bosch black stainless steel helps guard against scratches and fingerprints, while making a bold statement. Pair it with the entire Bosch black stainless steel kitchen suite for a true showstopper.



4-Door Stainless Steel  
Recessed Handle

B36CL80ENS



3-Door Stainless Steel  
Bar Handle

B36CT80SNS



3-Door Stainless Steel  
PRO Handle

B36CT81SNS



3-Door Black Stainless  
Steel Bar Handle

B36CT80SNB

## A better grip.

Whether your taste is modern, transitional, or somewhere in between, a Bosch refrigerator is designed with multiple handle options to seamlessly suit your style and preference.



### Bar handle.

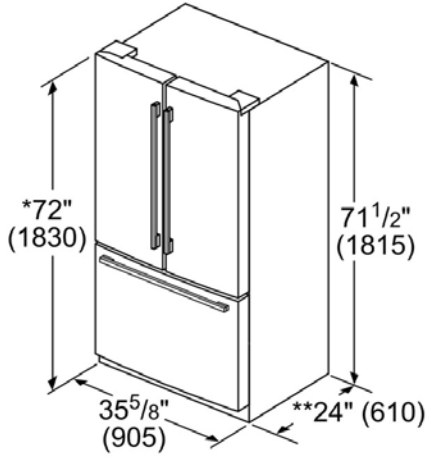
A classic refrigerator aesthetic with a sturdy, easy to grasp handle. Available in standard stainless steel. Black stainless steel is available in the 3-door model only.



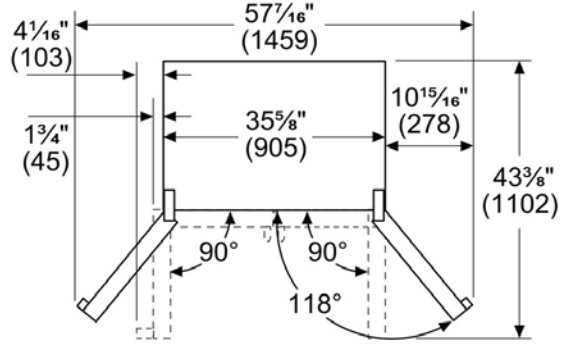
### Recessed handle.

The sleek and ergonomic recessed handle design gives your kitchen a premium appearance. Available in standard stainless steel.

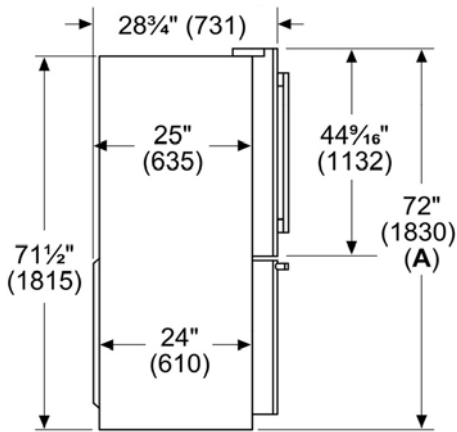
# 3-Door Models Line Drawings



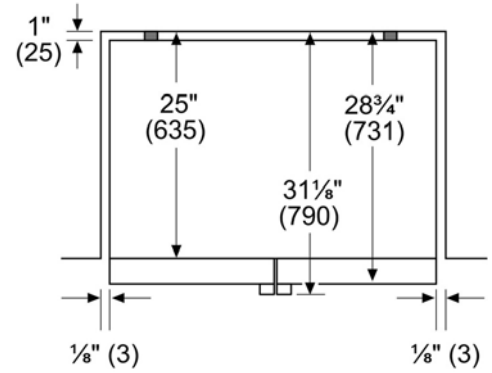
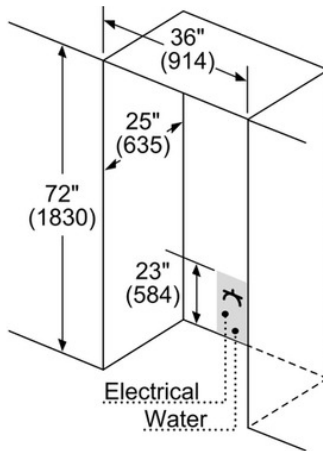
\*Add 5/8" (17) with front leveling feet fully extended.  
 \*\*Add 1" (25) for fixed spacers on back.



Drawers can be pulled out with door open to 90°.  
 Drawers can be taken out with door completely opened.

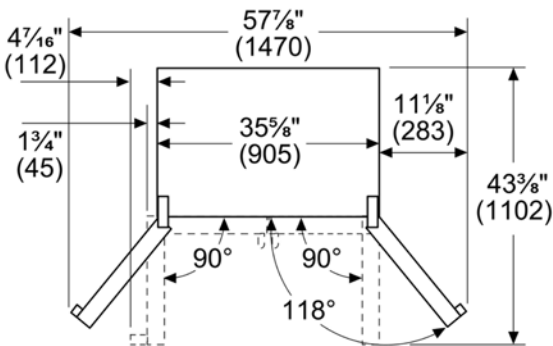


\*Add 5/8" (17) with front leveling feet fully extended.

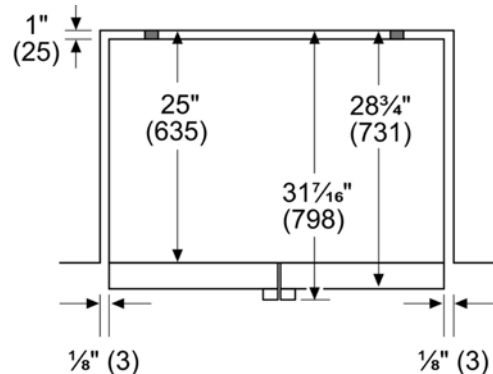


Leave 1/2" (12.7) gap at the top and 1" (25.4) behind the refrigerator for proper ventilation.  
 It is recommended that you do not install the refrigerator near a heat source such as an oven or a range.  
 Maximum receptacle and waterline height 23" (584).

Applies to B36CT81SNS Only

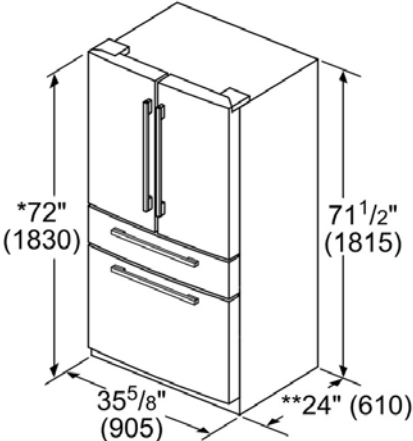


Drawers can be pulled out with door open to 90°.  
 Drawers can be taken out with door completely opened.

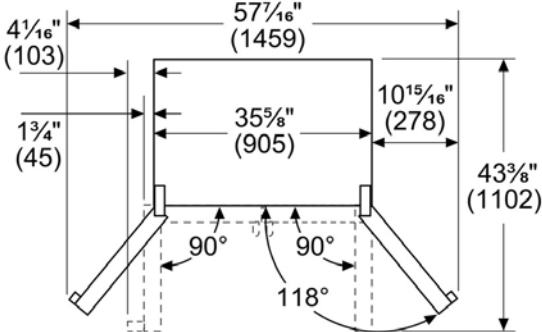


\*measurements in inches (mm)

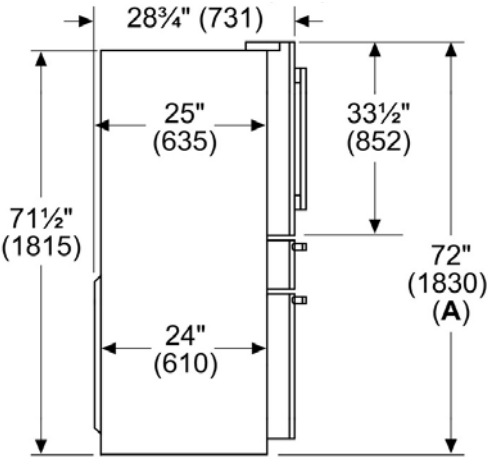
# 4-Door Bar Handle Line Drawings



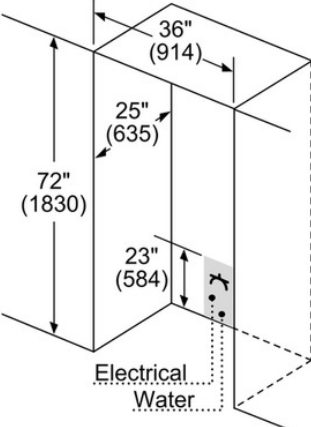
\*Add 5/8" (17) with front leveling feet fully extended.  
 \*\*Add 1" (25) for fixed spacers on back.



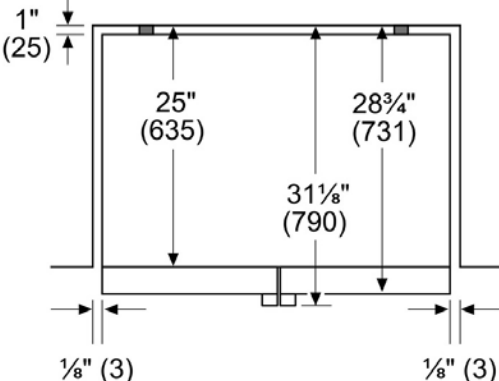
Drawers can be pulled out with door open to 90°.  
 Drawers can be taken out with door completely opened.



\*Add 5/8" (17) with front leveling feet fully extended.

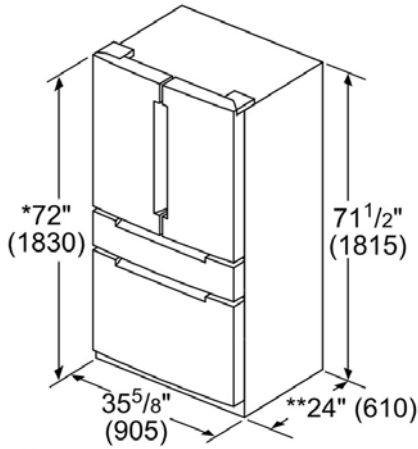


Leave 1/2" (12.7) gap at the top and 1" (25.4) behind the refrigerator for proper ventilation.  
 It is recommended that you do not install the refrigerator near a heat source such as an oven or a range.  
 Maximum receptacle and waterline height 23" (584).

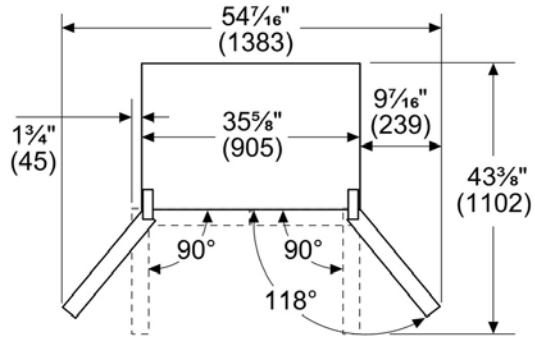


\*measurements in inches (mm)

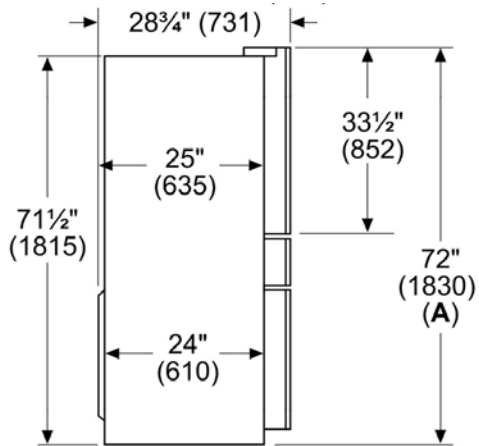
# 4 Door Recessed Handle Line Drawings



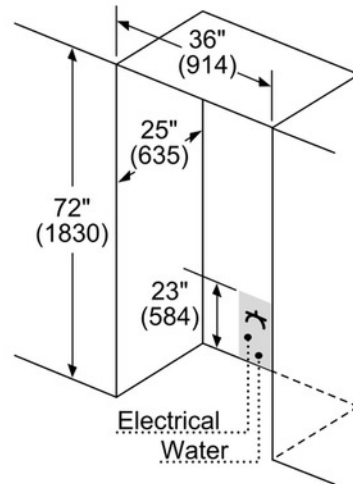
\*Add  $\frac{5}{8}''$  (17) with front leveling feet fully extended.  
 \*\*Add 1" (25) for fixed spacers on back.



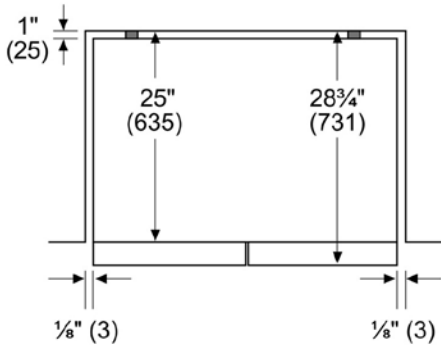
Drawers can be pulled out with door open to  $90^\circ$ .  
 Drawers can be taken out with door completely opened.



\*Add  $\frac{5}{8}''$  (17) with front leveling feet fully extended.



Leave  $\frac{1}{2}''$  (12.7) gap at the top and 1" (25.4) behind the refrigerator for proper ventilation.  
 It is recommended that you do not install the refrigerator near a heat source such as an oven or a range.  
 Maximum receptacle and waterline height 23" (584).



\*measurements in inches (mm)



	4-Door Stainless Steel Bar Handle <b>B36CL80SNS</b>	4-Door Stainless Steel Recessed Handle <b>B36CL80ENS</b>	3-Door Stainless Steel Bar Handle <b>B36CT80SNS</b>	3-Door Stainless Steel PRO Handle <b>B36CT81SNS</b>	3-Door Black Stainless Steel Bar Handle <b>B36CT80SNB</b>
Product Dimensions (H x W x D)	72" x 35 5/8" x 31 1/8"	72" x 35 5/8" x 28 3/4"	72" x 35 5/8" x 31 1/8"	72" x 35 5/8" x 31 7/16"	72" x 35 5/8" x 31 1/8"
Cutout Dimensions (H x W x D)	72" x 36" x 25"	72" x 36" x 25"	72" x 36" x 25"	72" x 36" x 25"	72" x 36" x 25"
Interior Capacity	21 cu. ft.	21 cu. ft.	21 cu. ft.	21 cu. ft.	21 cu. ft.
Interior Fridge Capacity	15 cu. ft.	15 cu. ft.	15 cu. ft.	15 cu. ft.	15 cu. ft.
Interior Freezer Capacity	6 cu. ft.	6 cu. ft.	6 cu. ft.	6 cu. ft.	6 cu. ft.
FarmFresh System™	✓	✓	✓	✓	✓
FreshProtect™ Ethylene Filter	✓	✓	✓	✓	✓
True Counter Depth	✓	✓	✓	✓	✓
Install Type	True Built-in Look	True Built-in Look	True Built-in Look	True Built-in Look	True Built-in Look
Easy-to-clean Exterior	✓	✓	✓	✓	✓
Exterior Logo Badge	✓	no	✓	no	no
FlexBar™	✓	✓	✓	✓	✓
FlexBar™ Accessories	Shallow shelf, deep shelf, bottle holder	Shallow shelf, deep shelf, bottle holder	Shallow shelf, deep shelf, bottle holder	Shallow shelf, deep shelf, bottle holder	Shallow shelf, deep shelf, bottle holder
Evaporator	2	2	2	2	2
Compressor	2	2	2	2	2
LED Lighting	✓	✓	✓	✓	✓
Freezer Lighting	✓	✓	✓	✓	✓
Internal Water Dispenser	✓	✓	✓	✓	✓
Internal Ice Dispenser	✓	✓	✓	✓	✓
UltraClarityPro™ Water Filter	✓	✓	✓	✓	✓
Cool Stainless Steel Back Wall	✓	✓	✓	✓	✓
Full Width Chiller Drawer	✓	✓	✓	✓	✓
Wide Gallon Door Bin Capacity	3-door bins, each bin holds two one-gallon containers	3-door bins, each bin holds two one-gallon containers	3-door bins, each bin holds two one-gallon containers	3-door bins, each bin holds two one-gallon containers	3-door bins, each bin holds two one-gallon containers
Spacious Door Bins	6	6	6	6	6



	4-Door Stainless Steel Bar Handle <b>B36CL80SNS</b>	4-Door Stainless Steel Recessed Handle <b>B36CL80ENS</b>	3-Door Stainless Steel Bar Handle <b>B36CT80SNS</b>	3-Door Stainless Steel PRO Handle <b>B36CT81SNS</b>	3-Door Black Stainless Steel Bar Handle <b>B36CT80SNB</b>
Dairy Butter Bin	✓	✓	✓	✓	✓
Glass Shelving	✓	✓	✓	✓	✓
SuperCool / SuperFreeze®	✓	✓	✓	✓	✓
Layered Freezer Drawer Organization	3 Drawers	3 Drawers	3 Drawers	3 Drawers	3 Drawers
Ice Shape	Pyramid	Pyramid	Pyramid	Pyramid	Pyramid
Soft Closer Freezer Drawer	✓	✓	✓	✓	✓
Soft Close Refrigerator Drawer	✓	✓	N/A	N/A	N/A
Air Filter	AirFresh® Filter	AirFresh® Filter	AirFresh® Filter	AirFresh® Filter	AirFresh® Filter
Consistent Temperature Regulation System	MultiAirFlow™	MultiAirFlow™	MultiAirFlow™	MultiAirFlow™	MultiAirFlow™
Full Extension VitaFreshPro™ Drawers	✓	✓	✓	✓	✓
Touch Control Display	✓	✓	✓	✓	✓
Home Connect™ App Option	✓	✓	✓	✓	✓
Remote Diagnostics	Available once paired to Home Connect™ App	Available once paired to Home Connect™ App	Available once paired to Home Connect™ App	Available once paired to Home Connect™ App	Available once paired to Home Connect™ App
Expanded Custom Temperature Controls	Available once paired to Home Connect™ App	Available once paired to Home Connect™ App	Available once paired to Home Connect™ App	Available once paired to Home Connect™ App	Available once paired to Home Connect™ App
Door Ajar Notification	Available once paired to Home Connect™ App	Available once paired to Home Connect™ App	Available once paired to Home Connect™ App	Available once paired to Home Connect™ App	Available once paired to Home Connect™ App
Water Filter Replacement Reminder	Available once paired to Home Connect™ App	Available once paired to Home Connect™ App	Available once paired to Home Connect™ App	Available once paired to Home Connect™ App	Available once paired to Home Connect™ App
Sabbath Mode	✓	✓	✓	✓	✓
Audible Door Alarm Option	✓	✓	✓	✓	✓
Average Noise Level	40dBA	40dBA	40dBA	40dBA	40dBA
UL Rating	✓	✓	✓	✓	✓
ENERGYSTAR®	✓	✓	✓	✓	✓
Energy Consumption	568 kWh/yr	568 kWh/yr	570 kWh/yr	570 kWh/yr	570 kWh/yr



# Service you can trust 100%.

Please don't hesitate to contact us if you have questions on our product line, need advice about use and care, or would like to purchase accessories. We are ready to assist you.

## Website

- > How-to Videos
- > Frequently Asked Questions
- > Filters, Accessories and Parts
- > Owner Manuals
- > Product Registration
- > Find a Dealer
- > Find a Bosch Authorized Servicer

Bosch Home Appliances US:  
[www.bosch-home.com/us](http://www.bosch-home.com/us)

## Phone

- > 24-Hour Call Center Access  
 1-800-944-2904

## Warranty

- > One-year Limited Warranty on all Bosch Appliances
- > Lifetime Stainless Steel Rust-through Warranty for Refrigerators

Please review the Limited Product Warranty for all warranty terms and conditions, available at [www.bosch-home.com/us](http://www.bosch-home.com/us) or by calling 1-800-944-2904.

\*USA and CAN only. Text and data rates may apply.

Text **"Fresh"**  
 to **21432**  
 to learn more.\*



**Bosch Home Appliances**

1901 Main St., Suite 600  
Irvine, CA 92614  
[www.bosch-home.com/us](http://www.bosch-home.com/us)  
[www.bosch-home.ca](http://www.bosch-home.ca)

24-hour call center support in English:

**1-800-944-2904**

©2019 BSH Home Appliances Corporation

All rights reserved.

Bosch is a registered trademark of Robert Bosch GmbH.